



Access & Power Integration

## Altronix/Trove3 Mercury Networked Kits

### Models Include:

#### T3MK75F16AQ

16 Door Kit with Fused Outputs

Each fully assembled kit includes:

- Trove3 enclosure with TM3 Altronix/Mercury backplane
- One (1) eFlow104NB - Power Supply/Charger
- One (1) eFlow102NB - Power Supply/Charger
- Two (2) LINQ8ACM - Network Fused Access Power Controllers
- Two (2) PDS8 - Dual Input Fused Power Distribution Modules
- One (1) RSB2 - Rocker Switch Bracket with Two (2) Rocker Switches (Not evaluated by UL)

#### T3MK77F16AQ

16 Door Kit with Fused Outputs

Each fully assembled kit includes:

- Trove3 enclosure with TM3 Altronix/Mercury backplane
- Two (2) eFlow104NB - Power Supply/Chargers
- Two (2) LINQ8ACM - Network Fused Access Power Controllers
- Two (2) VR6 - Voltage Regulators
- Two (2) PDS8 - Dual Input Fused Power Distribution Modules
- One (1) RSB2 - Rocker Switch Bracket with Two (2) Rocker Switches (Not evaluated by UL)

#### T3MK75F16ADQ

16 Door Kit with PTC Outputs

Each fully assembled kit includes:

- Trove3 enclosure with TM3 Altronix/Mercury backplane
- One (1) eFlow104NB - Power Supply/Charger
- One (1) eFlow102NB - Power Supply/Charger
- Two (2) LINQ8ACMCB - Network PTC Access Power Controllers
- Two (2) PDS8CB - Dual Input PTC Power Distribution Modules
- One (1) RSB2 - Rocker Switch Bracket with Two (2) Rocker Switches (Not evaluated by UL)

#### T3MK77F16ADQ

16 Door Kit with PTC Outputs

Each fully assembled kit includes:

- Trove3 enclosure with TM3 Altronix/Mercury backplane
- Two (2) eFlow104NB - Power Supply/Chargers
- Two (2) LINQ8ACMCB - Network PTC Access Power Controllers
- Two (2) VR6 - Voltage Regulators
- Two (2) PDS8CB - Dual Input PTC Power Distribution Modules
- One (1) RSB2 - Rocker Switch Bracket with Two (2) Rocker Switches (Not evaluated by UL)

All components of these Trove kits are UL Listed sub-assemblies.

Please refer to the included corresponding Sub-Assembly Installation Guides for further information.

## Installation Guide



All registered trademarks are property of their respective owners.

Rev. 090324

Installing Company: \_\_\_\_\_ Service Rep. Name: \_\_\_\_\_

Address: \_\_\_\_\_ Phone #: \_\_\_\_\_



More than just power.™

## Overview:

Altronix Trove kits are pre-assembled and consist of Trove3M3 enclosure/backplane with factory installed Altronix power supply/chargers and sub-assemblies. These kits also accommodate various combinations of Mercury boards for up to sixteen (16) doors in a single enclosure.

## Configuration Chart:

Altronix Model Number	120VAC 60Hz Input Current (A)	Power Supply Board Input Fuse Rating	Power Supply Board Battery Fuse Rating	Nominal DC Output Voltage				Maximum Supply Current for Main and Aux. Outputs on Power Supply board and LINQ8ACM(CB) Access Power Controller's outputs	Fail-Safe/Fail-Secure or Dry Form "C" Outputs	Current Per LINQ8ACM(CB) and PDS8(CB) Output (A)	LINQ8ACM(CB) Board Input Fuse (PTC) Rating	LINQ8ACM(CB) Board Output Fuse (PTC) Rating	PDS8(CB) Board Input Fuse (PTC) Rating	PDS8(CB) Board Output Fuse (PTC) Rating
				Power Supply 1		Power Supply 2								
				[DC]	[Aux]	[DC]	[Aux]							
T3MK75F16AQ	8	6.3A/250V	15A/32V	20.17-26.4	20.28-26.4	9.7-13.2	10.03-13.2	24VDC @ 9.4A	16	2.5	15A/32V	3A/32V	10A/32V	3A/32V
T3MK75F16ADQ		5A/250V								2.0	9A	2.5A	9A	2.5A
		6.3A/250V								2.5	15A/32V	3A/32V	10A/32V	3A/32V
T3MK77F16AQ		5A/250V								2.0	9A	2.5A	9A	2.5A
T3MK77F16ADQ	9	6.3A/250V	15A/32V	20.17-26.4	20.28-26.4	20.17-26.4	20.28-26.4		16	2.5	15A/32V	3A/32V	10A/32V	3A/32V
		2.0								9A	2.5A	9A	2.5A	

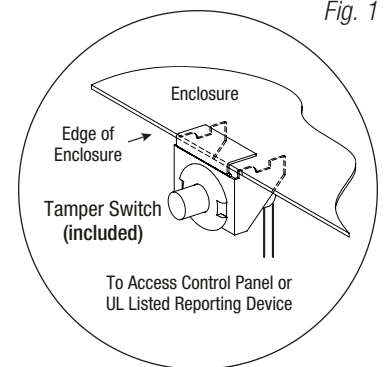
## Hardware and Accessories:

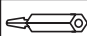


- Two (2) tamper switches (Altronix Model TS112 or equivalent).
- Cam lock.
- Battery leads.

## Installation Instructions:

Wiring methods shall be in accordance with the National Electrical Code/NFPA 70/ANSI, and with all local codes and authorities having jurisdiction. Product is intended for indoor use only.

1. Remove backplane from enclosure. Do not discard hardware.
2. Mark and predrill holes in the wall to line up with the top three keyholes in the enclosure. Install three upper fasteners and screws in the wall with the screw heads protruding. Place the enclosure's upper keyholes over the three upper screws; level and secure. Mark the position of the lower three holes. Remove the enclosure. Drill the lower holes and install the three fasteners. Place the enclosure's upper keyholes over the three upper screws. Install the three lower screws and make sure to tighten all screws.
3. Mount included UL Listed tamper switches (Altronix Model TS112 or equivalent) in desired location, opposite hinge. Slide the tamper switch bracket onto the edge of the enclosure approximately 2" from the right side (*Fig. 1, pg. 2*). Connect tamper switch wiring to the Access Control Panel input or the appropriate UL Listed reporting device. To activate alarm signal open the door of the enclosure.
4. Connect unswitched AC power (120VAC 60Hz) to terminals marked [L, N]. Use 14 AWG or larger for all power connections. Secure green wire lead to earth ground. Green "AC" LED on power supply board will turn on. This light can be seen through the LED lens on the door of the enclosure.  
**Keep power-limited wiring separate from non power-limited wiring (120VAC 60Hz Input, Battery Wires). Minimum 0.25" spacing must be provided.**  
**CAUTION: Do not touch exposed metal parts. Shut branch circuit power before installing or servicing equipment. There are no user serviceable parts inside.**  
**Refer installation and servicing to qualified service personnel.**
5. Measure voltage before connecting devices. This helps avoiding potential damage.
6. Refer to the *eFlow Power Supply/Charger Installation Guide* for eFlow104NB, eFlow102NB and corresponding *Sub-Assembly Installation Guides* for PDS8(CB) and LINQ8ACM(CB) for further installation instructions.
7. Position Lenel/Mercury access controller module over corresponding spacers and depress onto snap on spacers (*Fig. 2, 3, pg. 3, 4*).
8. Mount backplane to enclosure with hardware.



**Hardware:**  Snap On Spacer |  5/16" Pan Head Screw |  Lock Nut

## T3MK75F16AQ and T3MK75F16ADQ: Configuration of Mercury Boards:

1. Fasten snap on spacers onto metal pems configuration (A), (B),(C) or (D) of backplane depending on the access controller (Fig. 2, pg. 3).
2. Position access controller module over corresponding spacers and depress onto snap on spacers (Fig. 2a, pg. 3).
3. Mount backplane to enclosure with hardware.

### Access Controller Position Chart for the Following Models:

Mercury Access Controller	Pem Mounting
EP1502, MR52, MR16IN, MR16OUT	(A)
EP2500, MUX8	(B)
EP1501, MR51e	(C)
MR52	(D)

Fig. 2

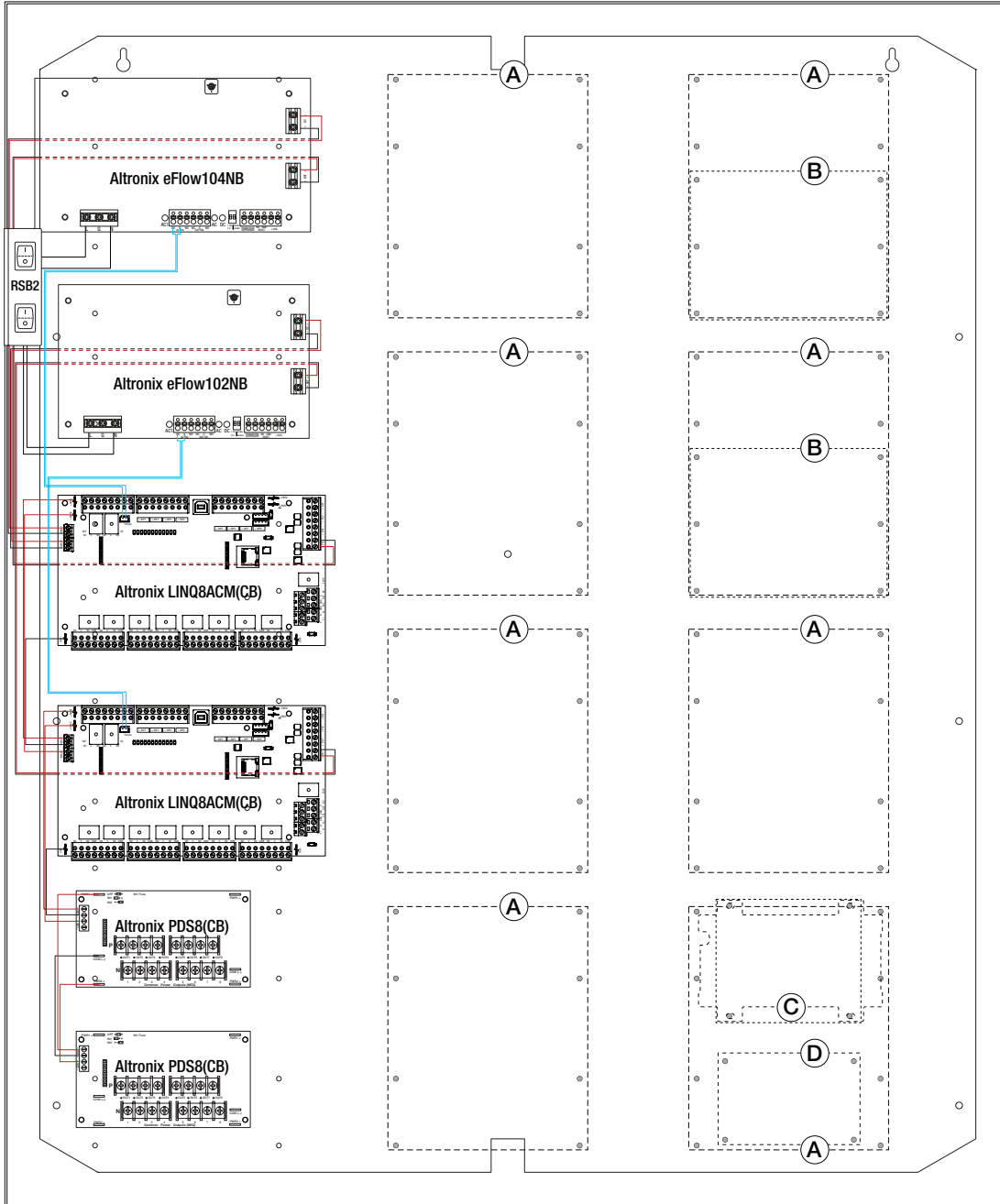
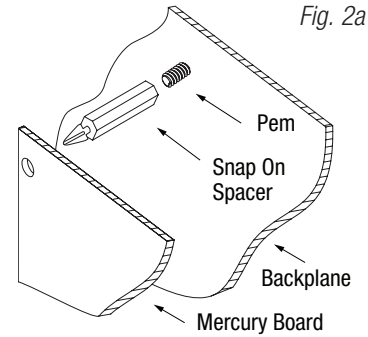


Fig. 2a



## T3MK77F16AQ and T3MK77F16ADQ: Configuration of Mercury Boards:

1. Fasten snap on spacers onto metal pems configuration (A), (B),(C) or (D) of backplane depending on the access controller (Fig. 3, pg. 4).
2. Position access controller module over corresponding spacers and depress onto snap on spacers (Fig. 3a, pg. 4).
3. Mount backplane to enclosure with hardware.

### Access Controller Position Chart for the Following Models:

Mercury Access Controller	Pem Mounting
EP1502, MR52, MR16IN, MR16OUT	(A)
EP2500, MUX8	(B)
EP1501, MR51e	(C)
MR52	(D)

Fig. 3

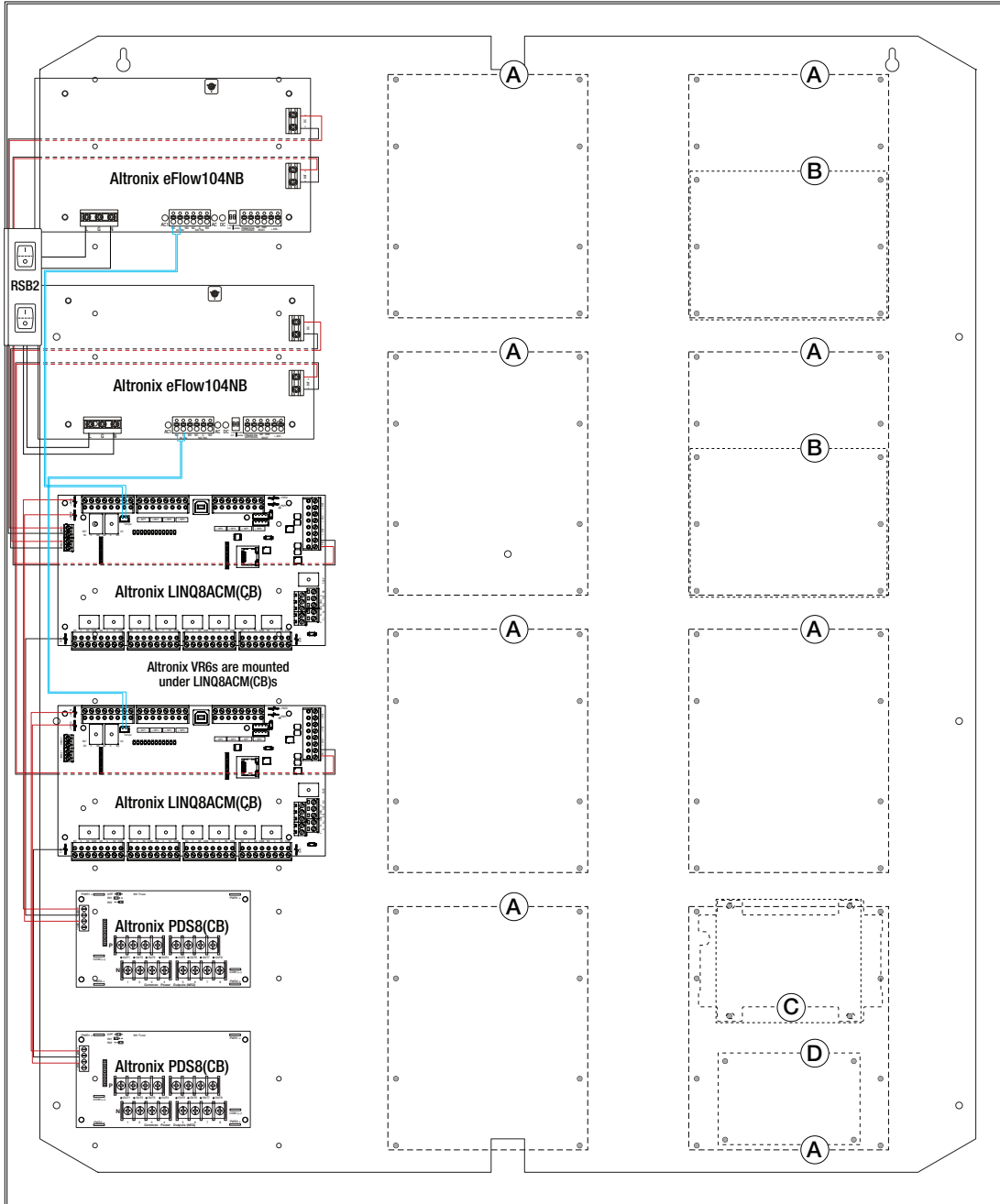
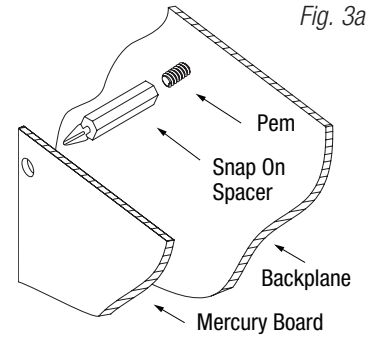


Fig. 3a

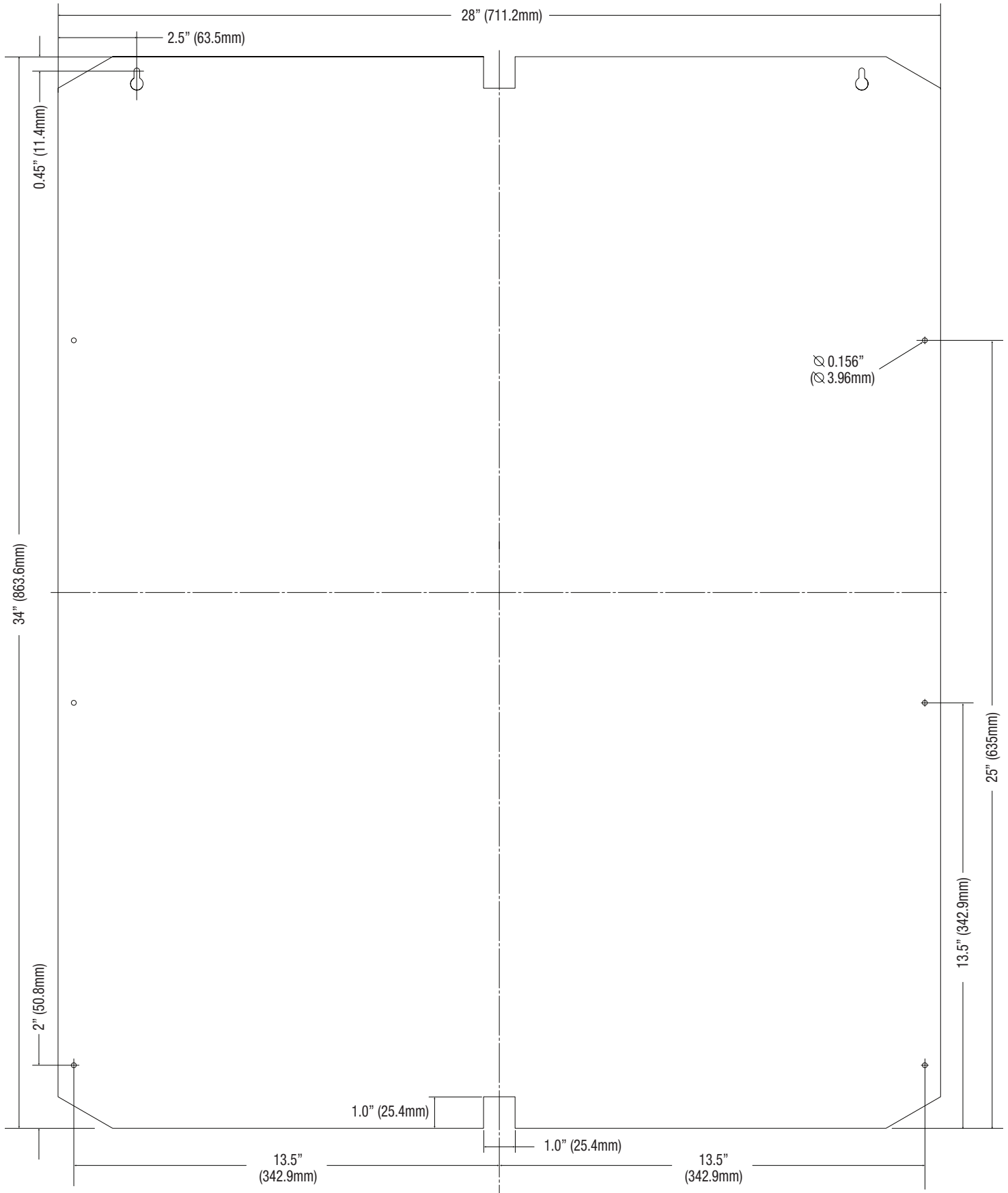


## Notes:

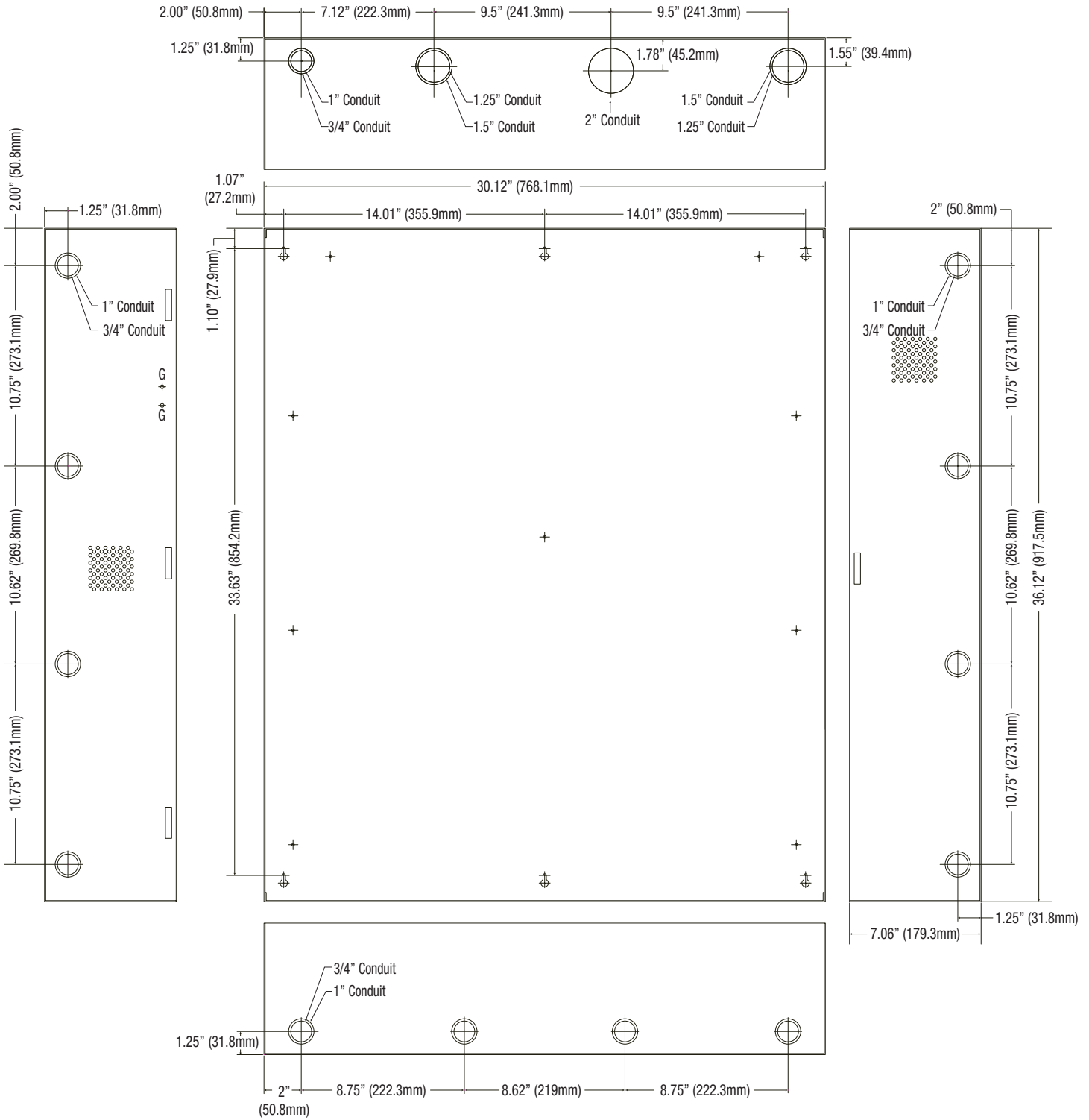
**Notes:**

# TM3 Dimensions

34" x 28" x 0.3125" (863.6mm x 711.2mm x 7.9mm)



## Trove3 Enclosure Dimensions (H x W x D approximate): 36.12" x 30.125" x 7.06" (917.5mm x 768.1mm x 179.3mm)



Altronix is not responsible for any typographical errors. Product specifications are subject to change without notice.

140 58th Street, Brooklyn, New York 11220 USA | phone: 718-567-8181 | fax: 718-567-9056  
 website: [www.altronix.com](http://www.altronix.com) | e-mail: [info@altronix.com](mailto:info@altronix.com) | Lifetime Warranty  
 IITrove3M AQ Kits

I03X

